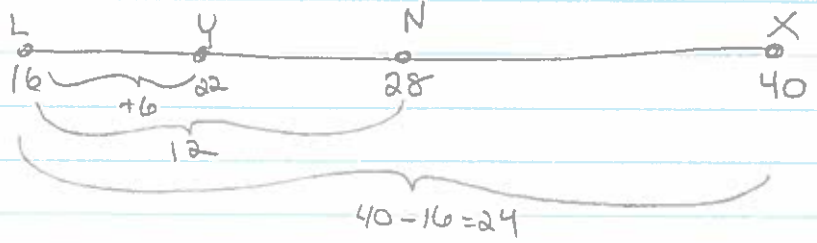
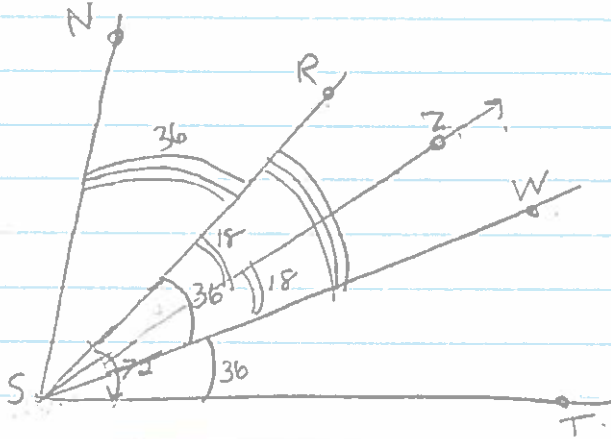


2.3

13



14



$m\angle RSZ = 18$
 $m\angle NSZ = 54$

15) a) $\overline{LM} \cong \overline{MK}$; $\overline{GN} \cong \overline{NH}$
 b) $\overline{LY} \cong \overline{GH}$

16) a) $\angle RSV \cong \angle VST$; $\angle SRU \cong \angle URT$
 b) $\angle RST \cong \angle SRT$

17) $AC = BD$

18) $AC = BD + AE = DE = CE = BE$

- 19)
1. Given
 2. Ruler Post.
 3. Given
 4. Def. mdpt.
 5. Subst. prop.
 6. $a+b$ / Add. prop. =
 7. Div. prop. =